



NSF #1855147

ENGINEERING COMPOSITES

Denise N.Scott¹, Dr. Francisco C Robles Hernandez²

¹Sterling Aviation ECHS, ²University of Houston – College of Technology

PURPOSE

Composite materials are engineering materials with unique properties. Composites combine at least two materials with distinct performance compared to the constituent materials acting alone. Many industries such as Automotive, aviation, marine, and energy use composites in general engineering applications.

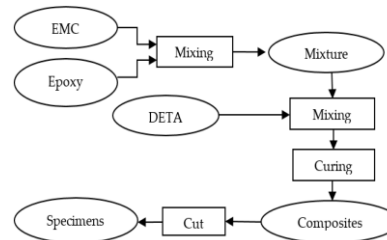
OBJECTIVE

The use of waste paper in the development of cellulose based composite using wax (machine) at various ratios to get optimal mechanical and physical properties.

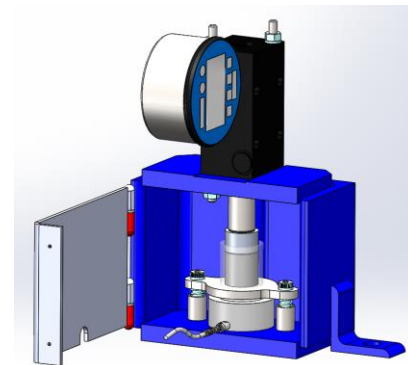
REFERENCES

- <https://www.mdpi.com/2073-4360/8/12/415/htm>
- <https://www.instructables.com/Paper-Pulp-Molding/>
- <https://www.fishersci.com/shop/products/precision-high-performance-ovens/p-4530064>

PROCESS



TESTING



AXIAL LOAD TEST APPARATUS

ACKNOWLEDGEMENTS

Thank you for the opportunity and experience University of Houston – College of Technology and the National Science Foundation grant.