



d[#]series

D-Series Size 0 LED Area Luminaire



Catalog
Number

Notes

Type

Specifications

EPA: 0.44 ft²
(0.04 m²)

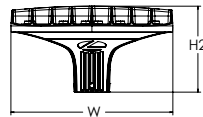
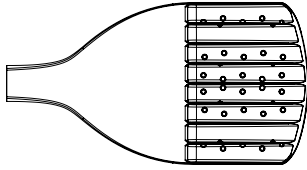
Length: 26.18"
(66.5 cm)

Width: 14.06"
(35.7 cm)

Height H1: 2.26"
(5.7 cm)

Height H2: 7.46"
(18.9 cm)

Weight: 23 lbs
(10.4 kg)



Ordering Information

DSX0 LED _____ **40K 90CRI** _____ **MVOLT RPA** _____ **DBLXD**

DSX0 LED	Series	LEDs	Color temperature ²	Color Rendering Index ²	Distribution	Voltage	Mounting
DSX0 LED	Forward optics	P1 P5 P2 P6 P3 P7 P4	40K 4000K	90CRI	T1S Type I short T2M Type II medium T3M Type III medium T3LG Type III low glare ³ T4M Type IV medium T4LG Type IV low glare ³ TFTM Forward throw medium	T5M Type V medium T5LG Type V low glare T5W Type V wide	MVOLT (120V-277V) ⁴ Shipped included RPA Round pole mounting (#8 drilling, 3" min. RND pole)

Control options	Finish (required)
<p>Shipped installed</p> <p>NLTAIR2 PIRHN nLight AIR gen 2 enabled with bi-level motion / ambient sensor, 8-40' mounting height, ambient sensor enabled at 2fc.^{11, 12, 18, 19}</p> <p>PIR High/low, motion/ambient sensor, 8-40' mounting height, ambient sensor enabled at 2fc.^{13, 18, 19}</p> <p>PER NEMA twist-lock receptacle only (controls ordered separate)¹⁴</p> <p>PERS Five-pin receptacle only (controls ordered separate)^{14, 19}</p>	<p>DBLXD Black</p>

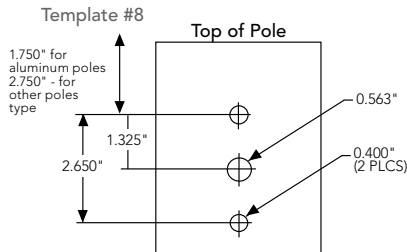
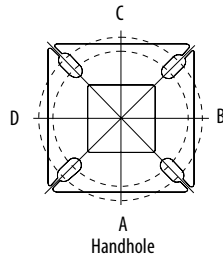


Electrical Load

	Performance Package	LED Count	Drive Current (mA)	Wattage	Current (A)					
					120V	208V	240V	277V	347V	480V
Forward Optics (Non-Rotated)	P1	20	530	34	0.28	0.16	0.14	0.12	0.10	0.07
	P2	20	700	45	0.38	0.22	0.19	0.16	0.13	0.09
	P3	20	1050	69	0.57	0.33	0.29	0.25	0.20	0.14
	P4	20	1400	94	0.78	0.45	0.39	0.34	0.27	0.19
	P5	40	700	89	0.75	0.43	0.38	0.33	0.26	0.19
	P6	40	1050	136	1.14	0.66	0.57	0.49	0.39	0.29
	P7	40	1300	170	1.42	0.82	0.71	0.62	0.49	0.36

Drilling

HANDHOLE ORIENTATION (from top of pole)



Tenon Mounting Slipfitter

Tenon O.D.	Mounting	Single Unit	2 @ 180	2 @ 90	3 @ 90	3 @ 120	4 @ 90
2-3/8"	RPA	AS3-5 190	AS3-5 280	AS3-5 290	AS3-5 390	AS3-5 320	AS3-5 490
2-7/8"	RPA	AST25-190	AST25-280	AST25-290	AST25-390	AST25-320	AST25-490
4"	RPA	AST35-190	AST35-280	AST35-290	AST35-390	AST35-320	AST35-490

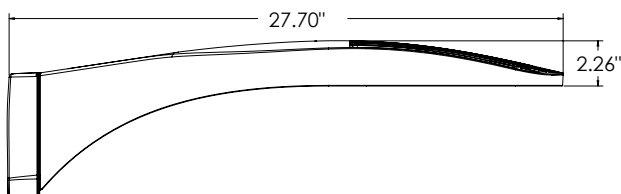
Mounting Option	Drilling Template	Single	2 @ 180	2 @ 90	3 @ 90	3 @ 120	4 @ 90
Head Location		Side B	Side B & D	Side B & C	Side B, C & D	Round Pole Only	Side A, B, C & D
Drill Nomenclature	#8	DM19AS	DM28AS	DM29AS	DM39AS	DM32AS	DM49AS
Minimum Acceptable Outside Pole Dimension							
SPA	#8	3.5"	3.5"	3.5"	3.5"		3.5"
RPA	#8	3"	3"	3"	3"	3"	3"
SPAS	#5	3"	3"	3"	3"		3"
RPA5	#5	3"	3"	3"	3"	3"	3"
SPA8N	#8	3"	3"	3"	3"		3"

DSX0 Area Luminaire - EPA

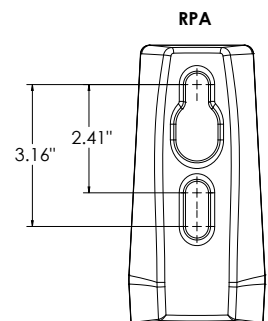
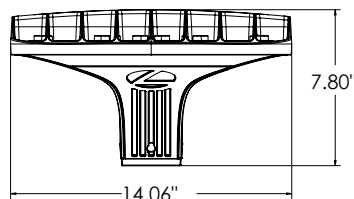
*Includes luminaire and integral mounting arm. Other tenons, arms, brackets or other accessories are not included in this EPA data.

Fixture Quantity & Mounting Configuration	Single DM19	2 @ 180 DM28	2 @ 90 DM29	3 @ 90 DM39	3 @ 120 DM32	4 @ 90 DM49
Mounting Type						
DSX0 with SPA	0.44	0.88	0.96	1.18	---	1.16
DSX0 with SPAS, SPA8N	0.51	1.02	1.06	1.26	---	1.29
DSX0 with RPA, RPA5	0.51	1.02	1.06	1.26	1.24	1.29

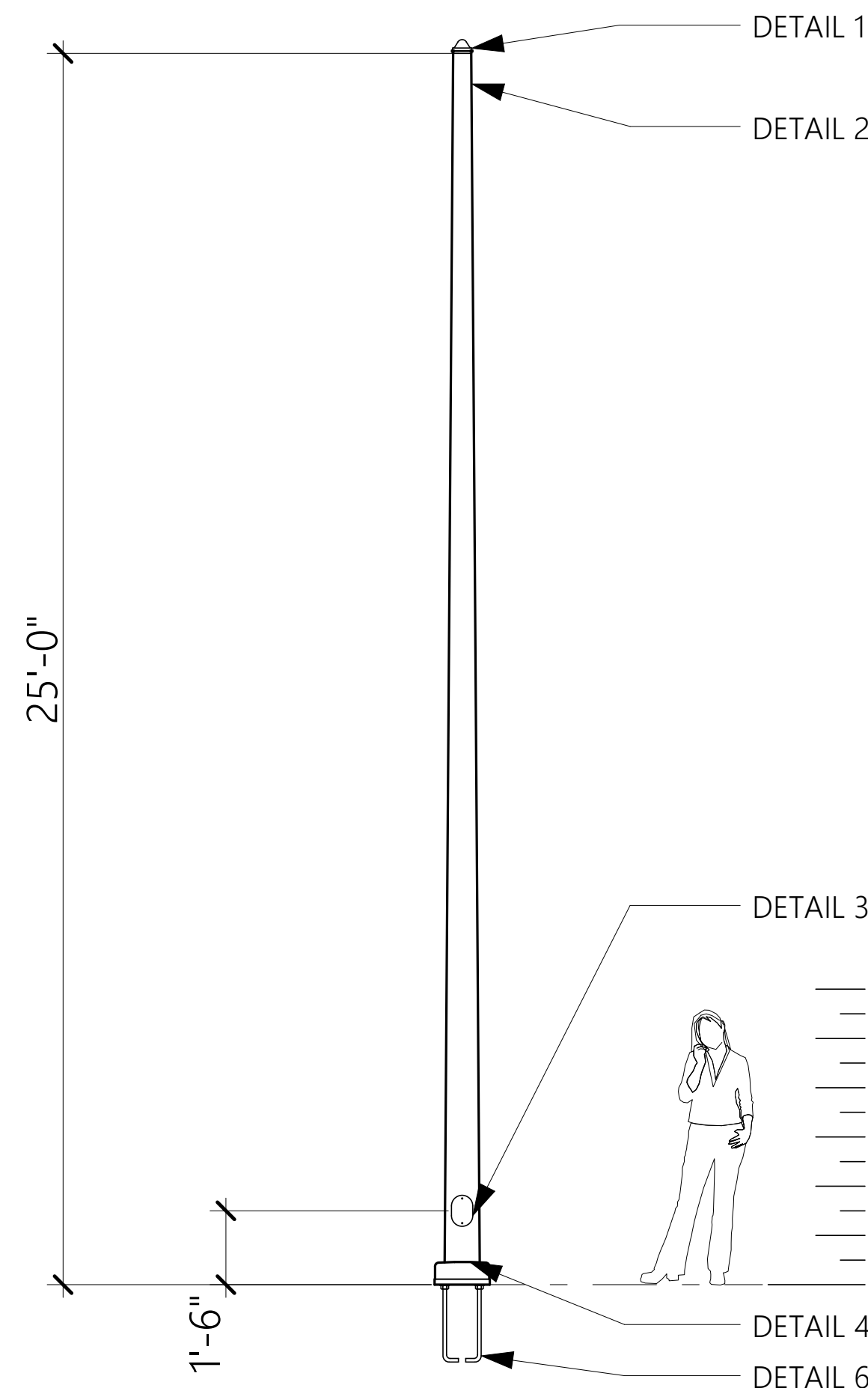
Dimensions



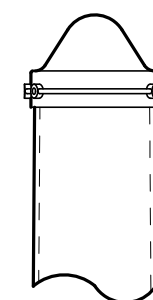
DSX0 with RPA
Weight: 25 lbs



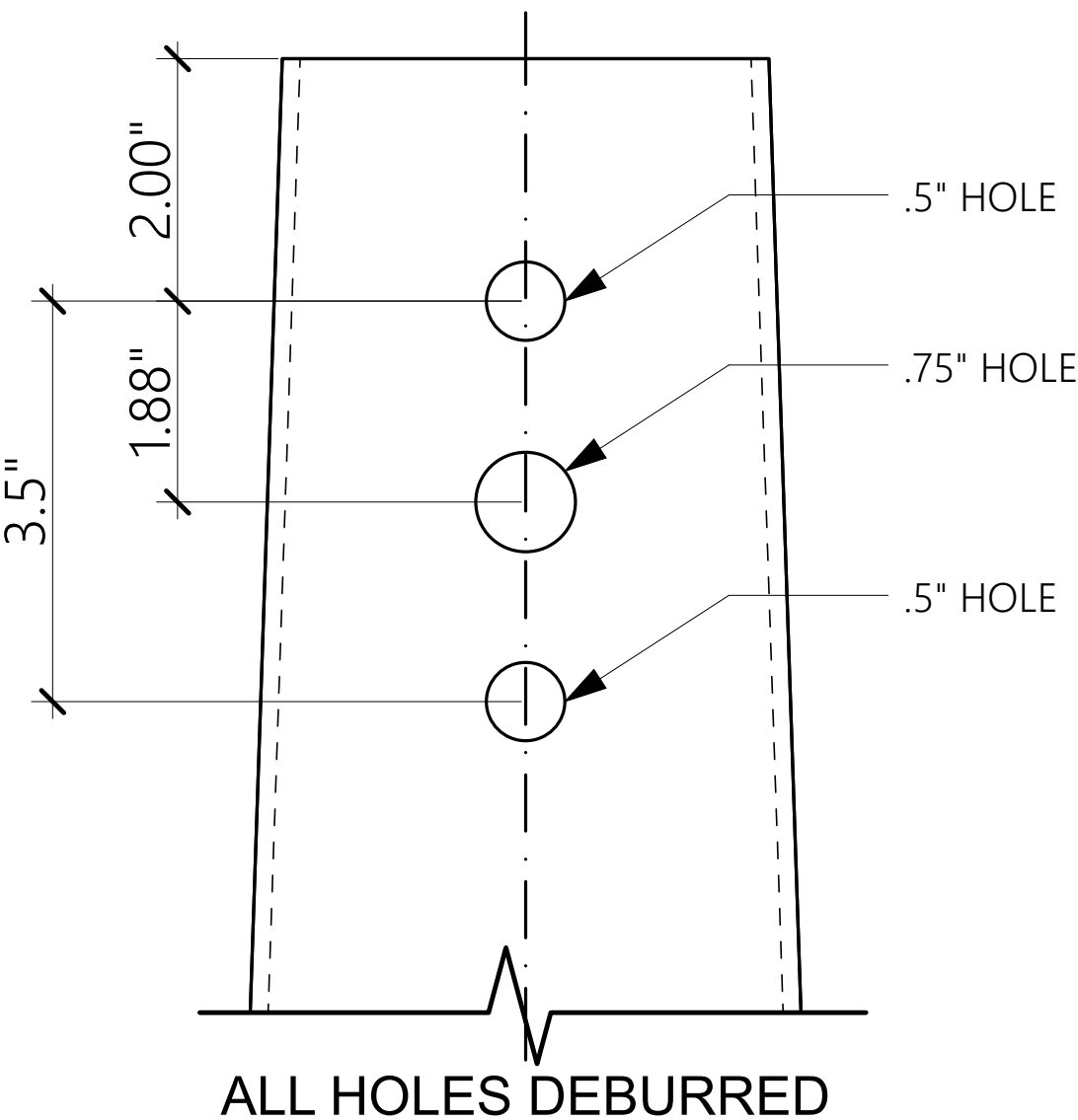
DESIGN CRITERIA: 2001 AASHTO



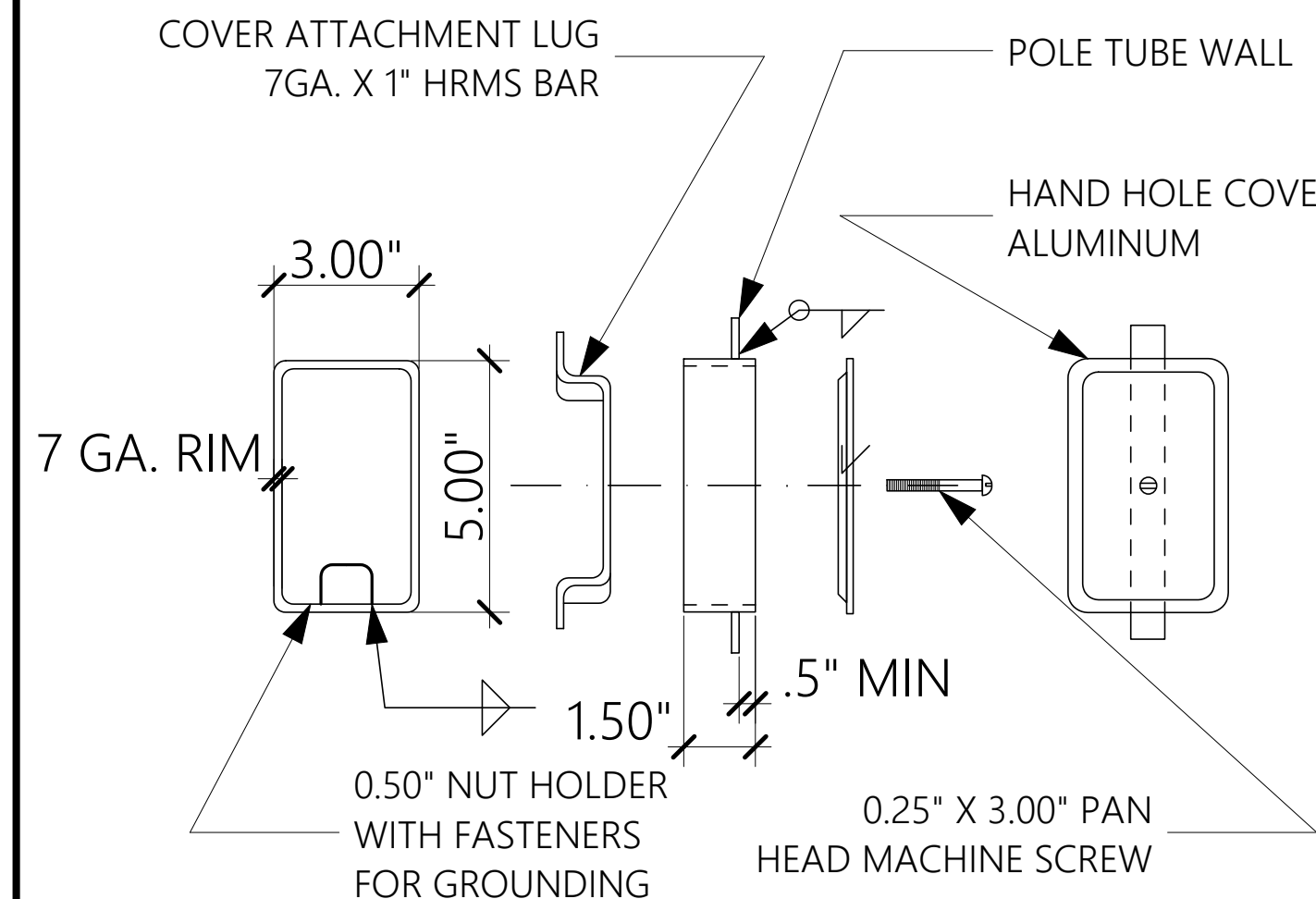
REMOVEABLE POLE CAP



DETAIL 1 POLE CAP



DETAIL 2 DRILL TEMPLATE



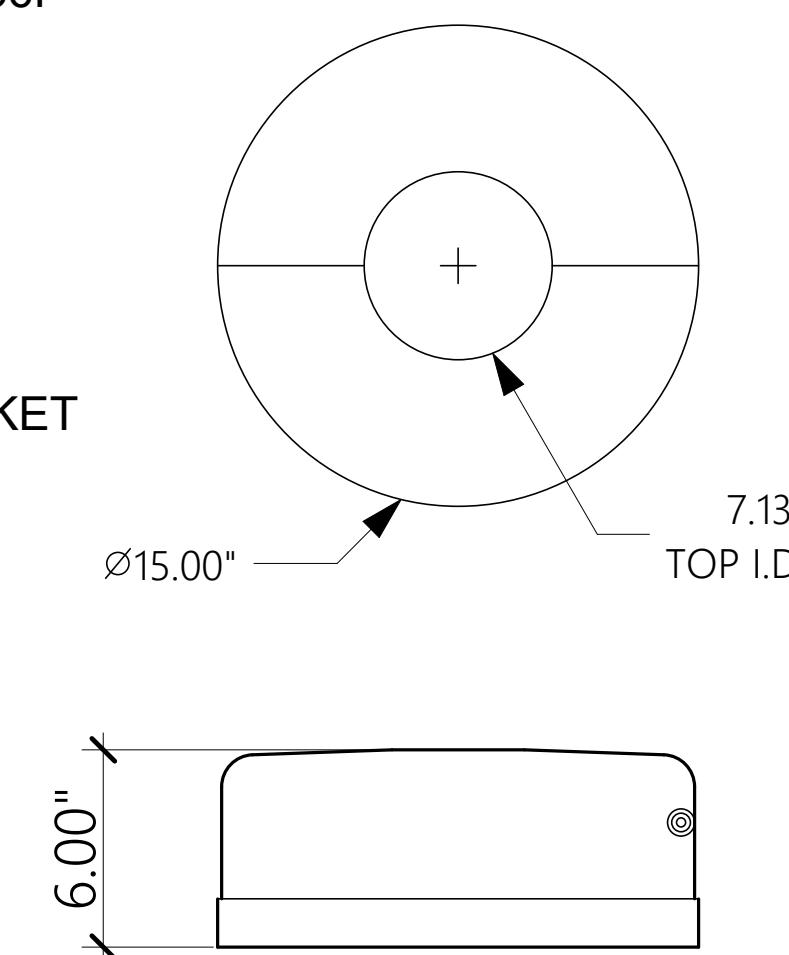
DETAIL 3 3.00" X 5.00" HANDHOLE

MATERIAL NOTE:
ASTM: B26 ALUMINUM ALLOY
COMPOSITION 319F OR 356F

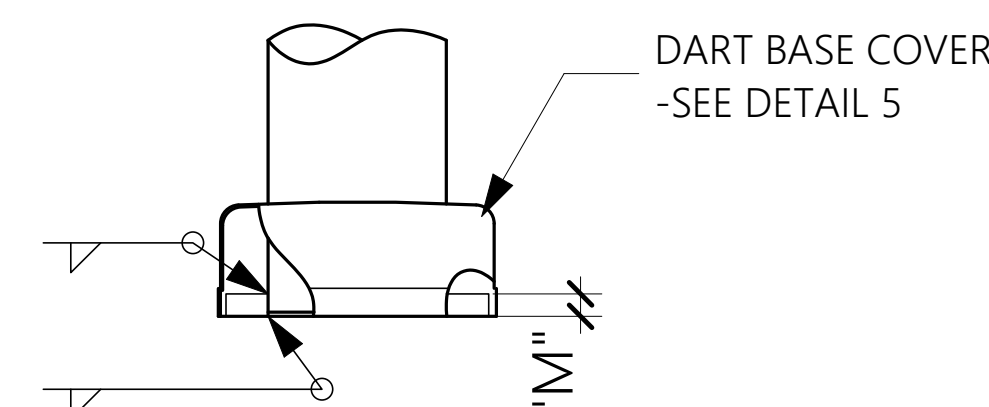
FINISH NOTE:
TO BE FINISH PAINTED
TO MATCH POLE

EACH BASE IS SUPPLIED
WITH (2) -.025" STAINLESS
STEEL BUTON HEAD SOCKET
CAP SCREWS

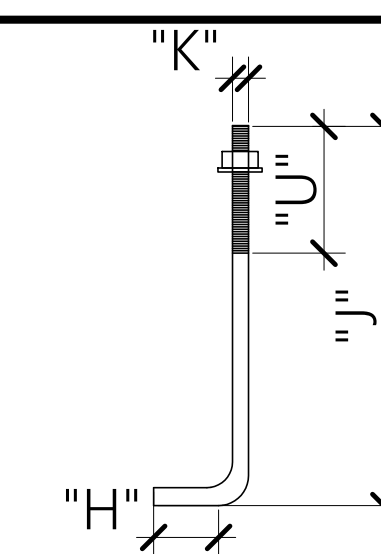
INSTALLATION NOTE:
INSTALL COVER SUCH
THAT IT FULLY MASKS
ANCHOR BOLTS AND
RESTS ON TOP OF
FOOTING



DETAIL 5 DT15AC FULL BASE COVER



(4) ANCHOR BOLTS WITH
(2) HEX NUTS AND (2)
WASHERS PER BOLT WITH
THREADED END GALVANIZED
AT LEAST 12.00"



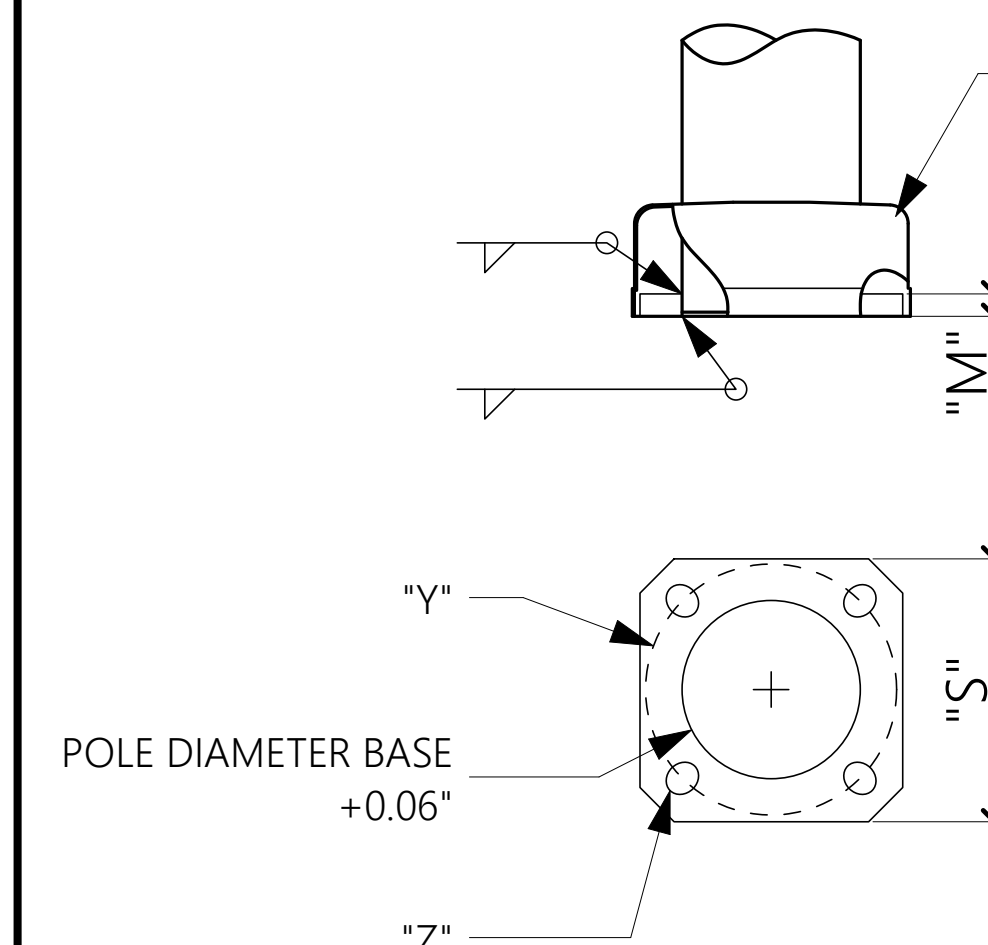
DETAIL 6 ANCHOR BOLT

MATERIAL DATA

COMPONENT	ASTM DESIGNATION	MIN YIELD (KSI)	FINISH NOTES
TAPERED TUBES	A595 GR.A	55	SYSTEM: FINISH PAINTED (FP) BASE COAT: NONE FINISH COAT: NONE
BASE PLATE	A36	36	COLOR: TGIC OR URETHANE
ANCHOR BOLTS	F1554 GR.55	55	POLYESTER POWDER
HARDWARE COATING	HOT DIP ZINC	--	BLACK
			SPEC: F-264A

ALTHOUGH RARE, VIBRATIONS SEVERE ENOUGH TO CAUSE DAMAGE CAN OCCASIONALLY OCCUR IN STRUCTURES OF ALL TYPES. BECAUSE THEY ARE INFLUENCED BY MANY INTERACTING VARIABLES, VIBRATIONS ARE GENERALLY UNPREDICTABLE. THE USER'S MAINTENANCE PROGRAM SHOULD INCLUDE OBSERVATION FOR EXCESSIVE VIBRATION AND EXAMINATION FOR ANY STRUCTURAL DAMAGE OR BOLT LOOSENING. THE VALMONT WARRANTY SPECIFICALLY EXCLUDES FATIGUE, FAILURE, OR SIMILAR PHENOMENA RESULTING FROM INDUCED VIBRATION, HARMONIC OSCILLATION, OR RESONANCE ASSOCIATED WITH MOVEMENT OF AIR CURRENTS AROUND THE PRODUCT

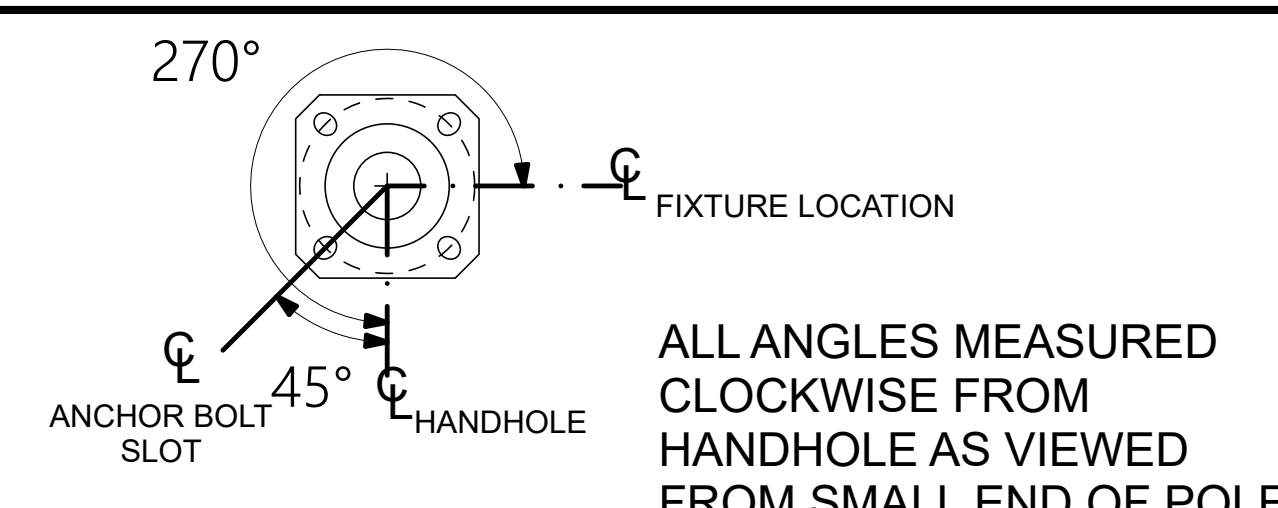
VIBRATION DISCLAIMER



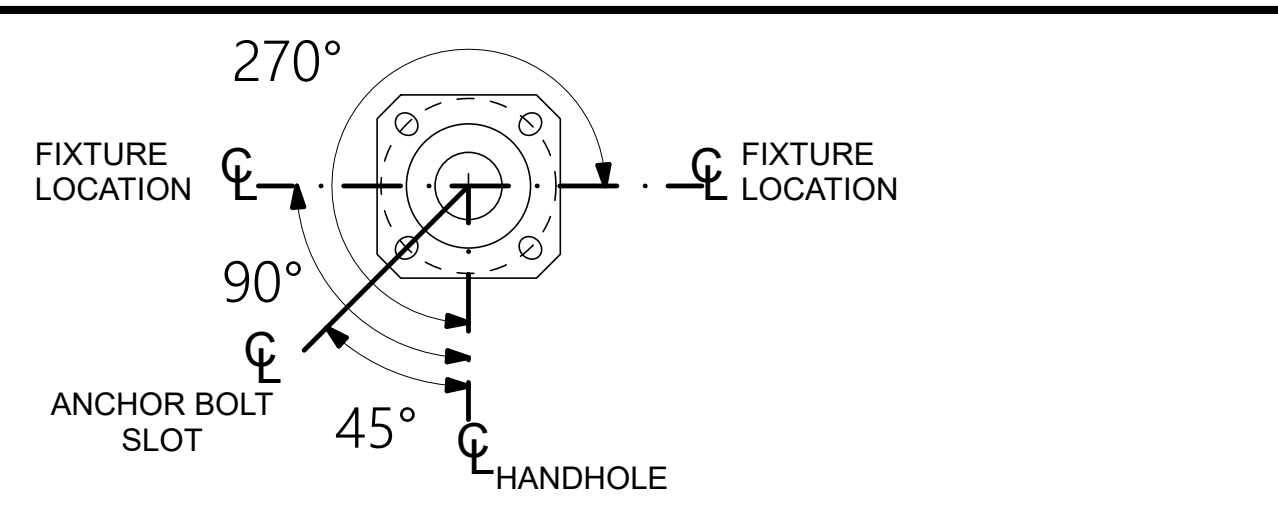
DETAIL 4 POLE BASE

POLE DATA

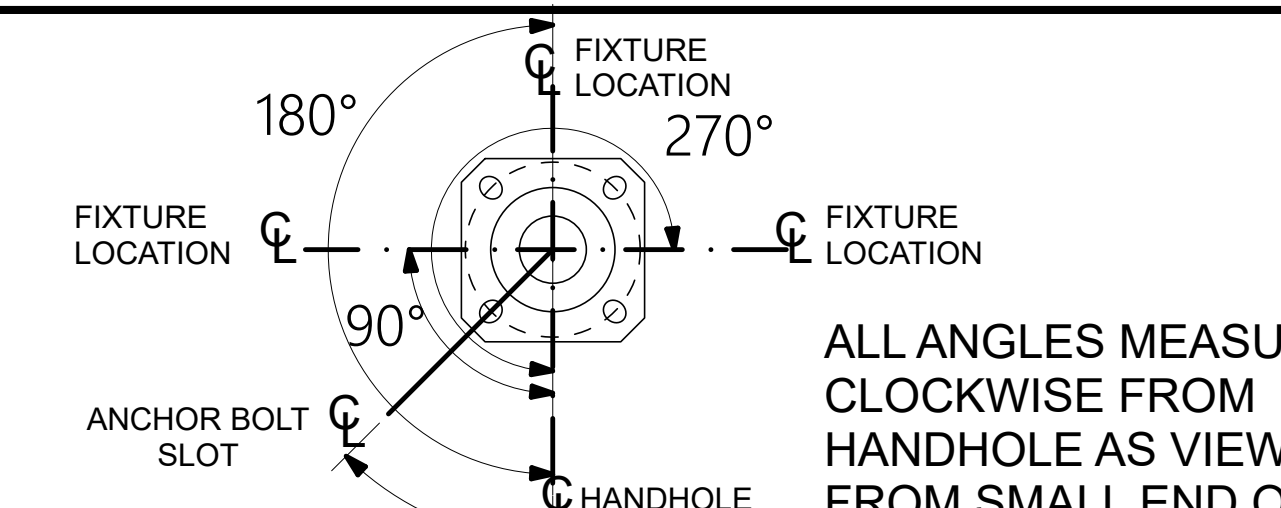
ITEM	TYPE	QTY.	POLE DESCRIPTION	POLE TUBE				POLE BASE				ANCHOR BOLT				DRILLING QTY.
				BASE DIA. (IN)	TOP DIA. (IN)	LENGTH (FT)	GAUGE OR THK. (IN)	SQUARE "S" (IN)	BOLT CIRCLE "Y" (IN)	THK. "M" (IN)	SLOT "Z" (IN)	DIA. "K" (IN)	LENGTH "J" (IN)	HOOK "H" (IN)	THREAD LENGTH "U" (IN)	
1			DS210-700A250-D1-FPBK-HH-ABDT15AC	7.00	3.50	25.00	11	10.88	10.00	0.875	1.13 X 1.69	1.00	36.00	4.00	6.00	D1
2			DS210-700A250-D2-FPBK-HH-ABDT15AC	7.00	3.50	25.00	11	10.88	10.00	0.875	1.13 X 1.69	1.00	36.00	4.00	6.00	D2
3			DS210-700A250-D3-FP BK-HH-ABDT15AC	7.00	3.50	25.00	11	10.88	10.00	0.875	1.13 X 1.69	1.00	36.00	4.00	6.00	D3
4			DS210-700A250-D4-FPBK-HH-ABDT15AC	7.00	3.50	25.00	11	10.88	10.00	0.875	1.13 X 1.69	1.00	36.00	4.00	6.00	D4



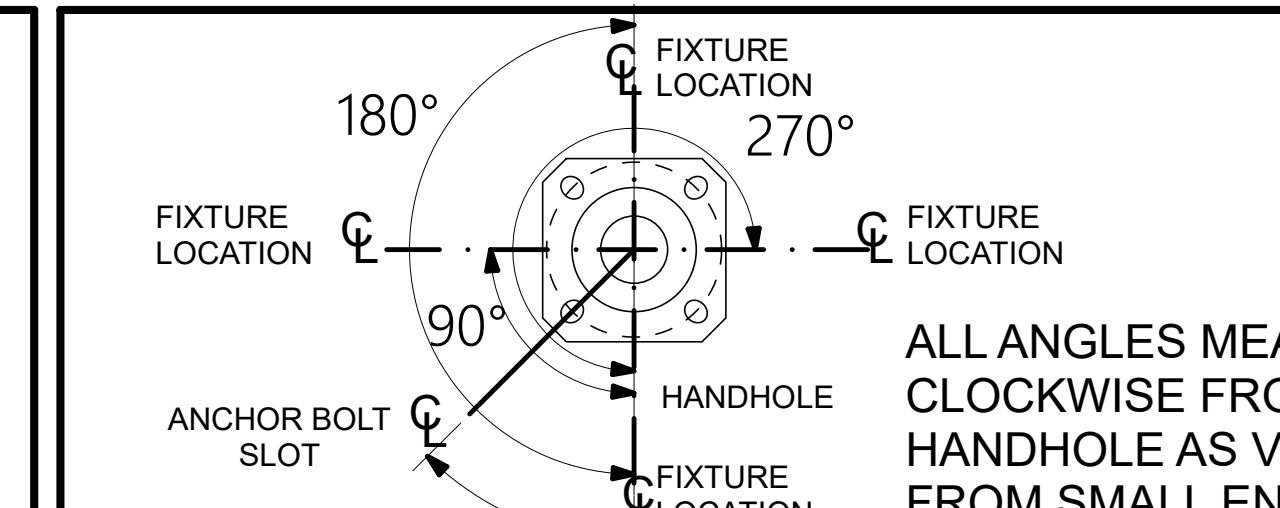
RADIAL INDEX D1 / ONE FIXTURE HEAD



RADIAL INDEX D2 / TWO FIXTURE HEADS



RADIAL INDEX D3 / THREE FIXTURE HEADS



RADIAL INDEX D4 / FOUR FIXTURE HEADS

U OF H ROADWAY
STANDARD 25 FT. POLE
LIGHTING STRUCTURES

VALMONT INDUSTRIES, INC. RESERVES THE
RIGHT TO INSTALL VARIOUS, ENGINEER
APPROVED, MATERIAL HANGING
ACCOMMODATIONS TO FACILITATE THE
MANUFACTURING PROCESS

